

LED Power Supply



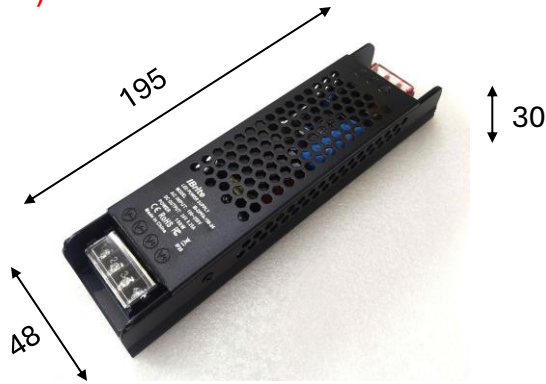
Highlights:

- Constant Voltage design.
- AC input Voltage range 100-250Vac.
- Protections: Short circuit/Over load/Over current
- Cooling by Convection.
- Thickness Aluminum Profile Housing.
- IP20 grade for indoor project lighting installation.
- Lifespan 50,000 hrs.

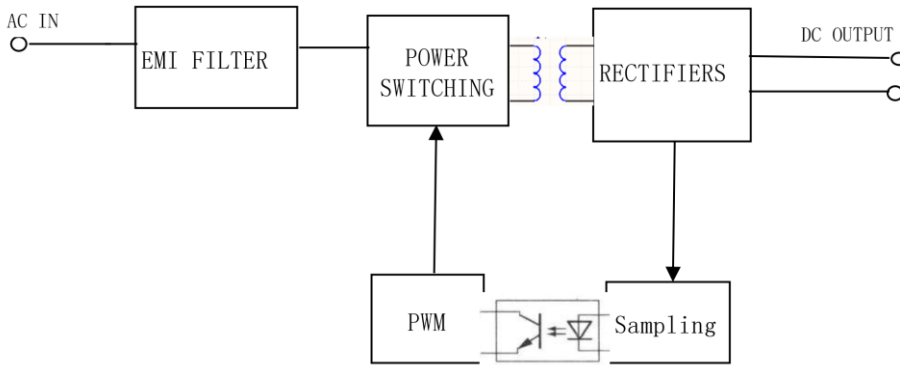
| SPECIFICATION | | IB-DPFA-150-12 | IB-DPFA-150-24 |
|---------------|-------------------|------------------------------------------------------|----------------|
| OUTPUT | Rated DC voltage | 12V±0.5V | 24V±0.5V |
| | Current range | 0-12.5A | 0-6.25A |
| | Rated Power | 150W | |
| | Ripple & Noise | ≲120mVp-p | ≲240mVp-p |
| | Setup, Rise time | 50ms/230VAC | |
| | Hold up time | 20ms/230VAC | |
| INPUT | Voltage range | AC100-250V (AC110V maximum load does not exceed 60%) | |
| | Frequency range | 50-60HZ | |
| | Efficiency (Typ.) | ≳84% | ≳86% |
| | Power factor | 0.65(max) | |
| | Leakage current | 0.25mA/230VAC | |

| | | |
|-----------------------|----------------------|--------------------------------------------------------------------------------|
| PROTECTION | Over Current | 105%-130% |
| | | Protection type: Hiccup mode |
| | Reset After Shutdown | after the fault has been removed |
| ENVIRONMENT | Working TEMP. | -10°C-45°C |
| | Storage TEMP. | -40°C-80°C |
| | Working Humidity | 0--100% |
| | Vibration | 10-500HZ, 2G 10min/1cycle, preiod for 60min, each along X,Y,Z axes |
| | TEMP. coefficient | ±0.03%°C (0-50°C) |
| SAFETY&EMC | Safety Standards | Design refer to LVD EN61347-2-13:2006, EN61347-1:2008 |
| | With stand Voltage | I/P-O/P: 1.5KVAC, I/P-COVER: 1.5KVAC, O/P-COVER: 500VDC |
| | Isolation Resistance | I/P-O/P:>100M Ohms/500VDC/25°C /70% RH |
| | EMC | EN55015:2006/A2:2009, EN61000-3-2:2006/A2:2009, EN61000-3-3:2008, EN61547:2009 |
| OTHERS | MTBF | 50,000 Hours (25°C) |
| | Dimension | 195*48*30mm (L*W*H) |
| | Weight | 280g |
| | Packaging | 41*26.5*28cm/80PCS |

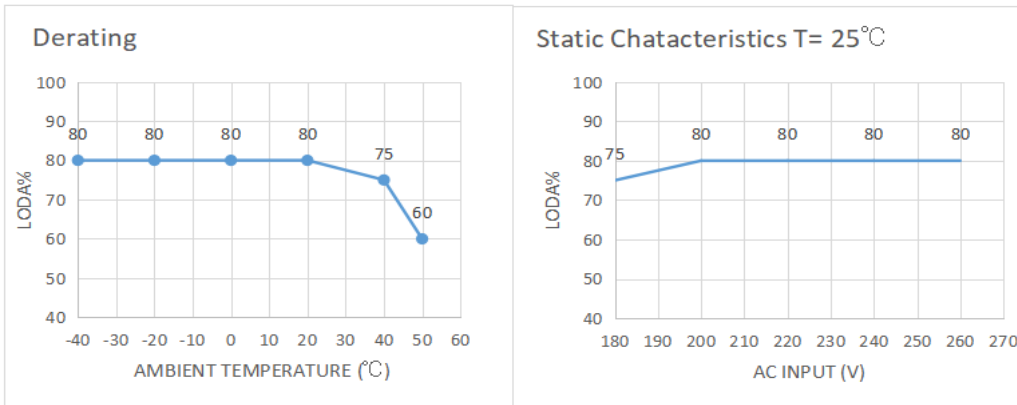
Dimension (Unit: mm)



Circuit diagram:



Load derating curve:



Edition

Data is subject to change without notice.
Please contact us for detailed information.

| Release Date | Issuance of Category |
|--------------|----------------------|
| 2025.07.01 | The 1st. Version |